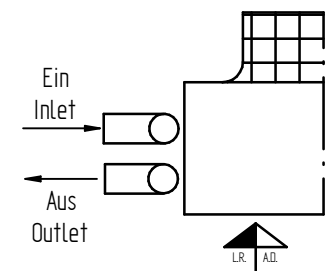
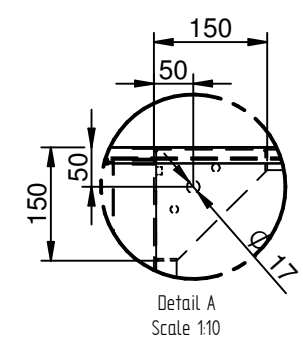
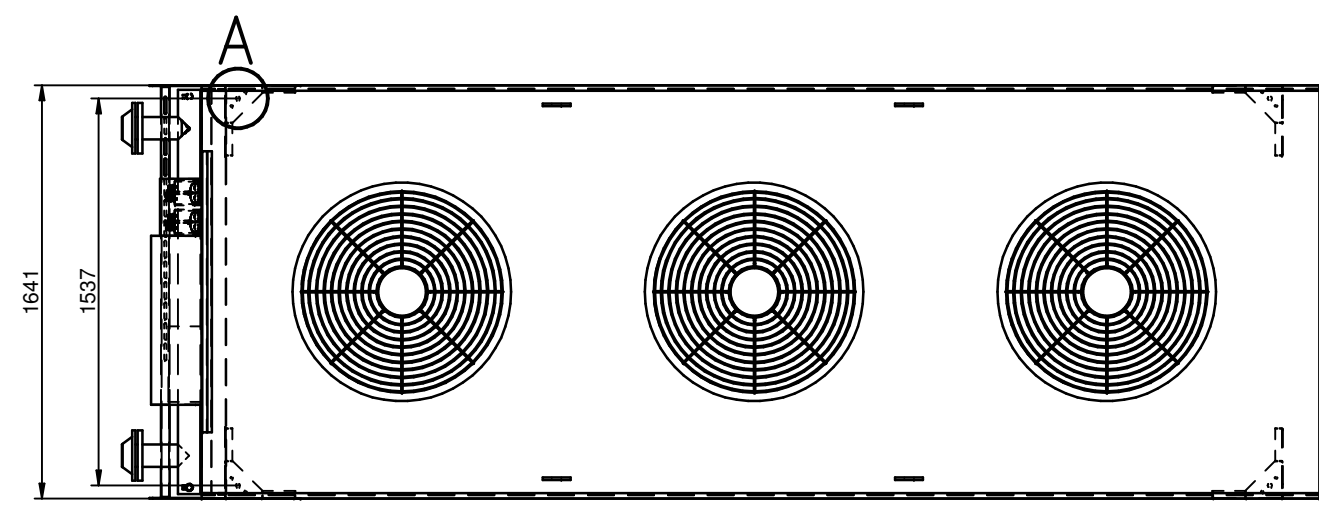
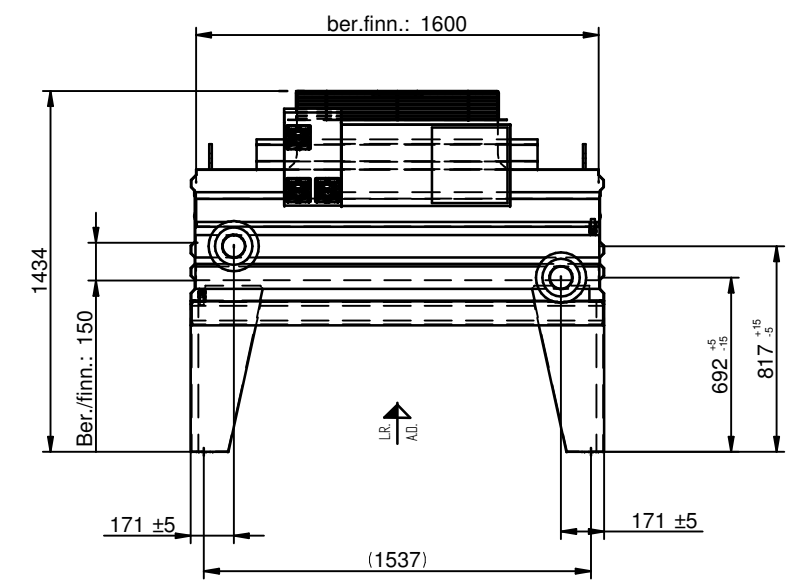
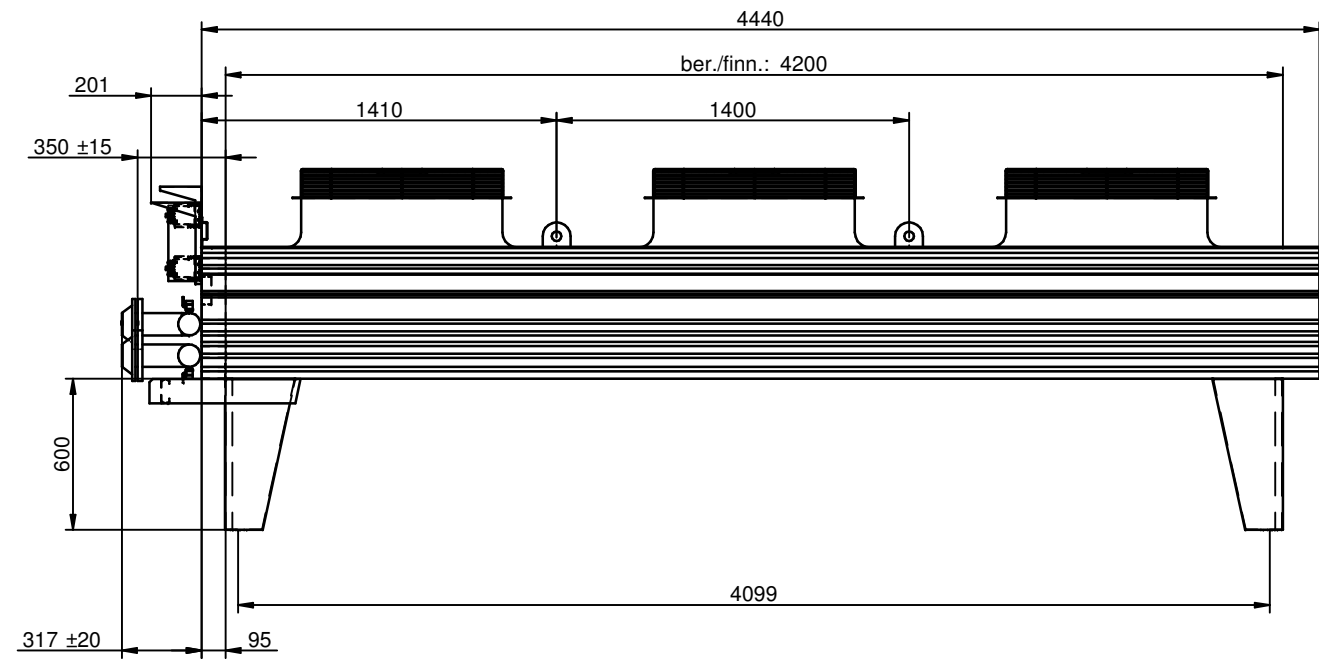


measures without specification of tolerances:
 DIN EN ISO 13920, tolerance class D
 welding / brazing: DIN ISO 2768-1, tolerance class component parts m / assembly sg,
 general tolerances: DIN ISO 2768-2, tolerance class component parts K / assembly L, length >4m DIN 7168, tolerance class component parts m / assembly sg,
 general tolerances: DIN ISO 2768-2, tolerance class component parts K / assembly L, length >3m EN 10162, tolerance straightness and flatness 0,002x (length)

protection note acc. to DIN ISO 16016



Technische Daten / Technical data

Gehäuse Material Housing material	Stahl verzinkt / galvanized steel			
Gehäuse Oberfläche Housing finishing	RAL 7035			
Anschluss Ein ϕ Connection In ϕ	Anschluss Aus ϕ Connection Out ϕ	Rohrvolumen Vol. of tubes	Austauschfläche Exch. surface	Leergewicht Empty weight
mm	mm	l	m ²	kg
1x88,9-DN80	1x88,9-DN80	110.4	930.5	779.778

Axialventilatordaten / Axial fan data								
Ventilator / fan	ϕ mm	l / min	kW el.	A	V	Ph	Hz	Anz./pcs.
VT03059U.1	800	975	1.94	3	400	3	50/60	3

Quotation drawing			scale	1:30	sheet	1/1	size	DIN A3
			material					
			weight [kg]					
			notice					
			type	GFHV FD 080.2PF/13E-54-077DM				
			name	finoox-Drycooler-axial				
			ERP-itemcode					
revision			date	name	drawing number	6220	index	
Güntner GmbH & Co. KG Hans-Güntner-Strasse 2 - 6 82256 Fürstenfeldbruck GERMANY Tel: +49 8141 242-0 Fax: +49 8141 242-155			date	name	customer	EPS BHKW GmbH		
			drawn:	03.04.2020	CAD-Konf	project/ quantity		
WÄRMEAUSTAUSCHER			certified:	03.04.2020	CAD-Konf	order/ position	FA1126608	10