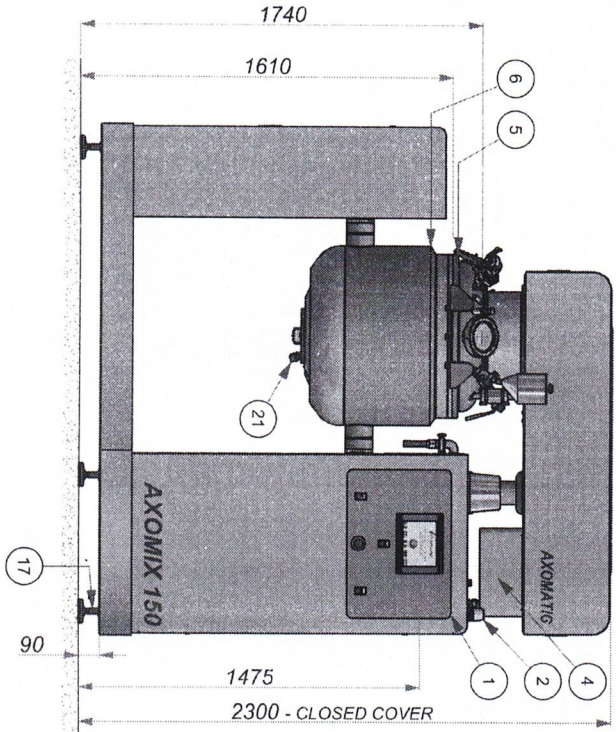
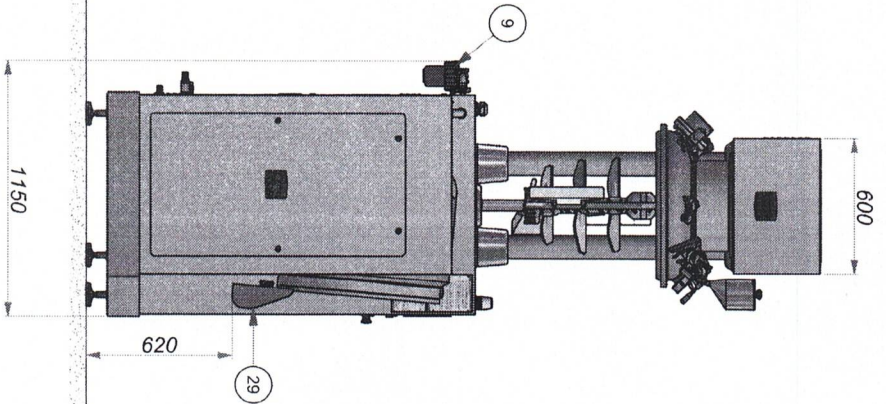


PROJECT: XIMIX - Rev.01
MACHINE MODEL: AXOMIX 150
 DATE: 02/05/2024
 CUSTOMER STAMP AND SIGN FOR APPROVAL:

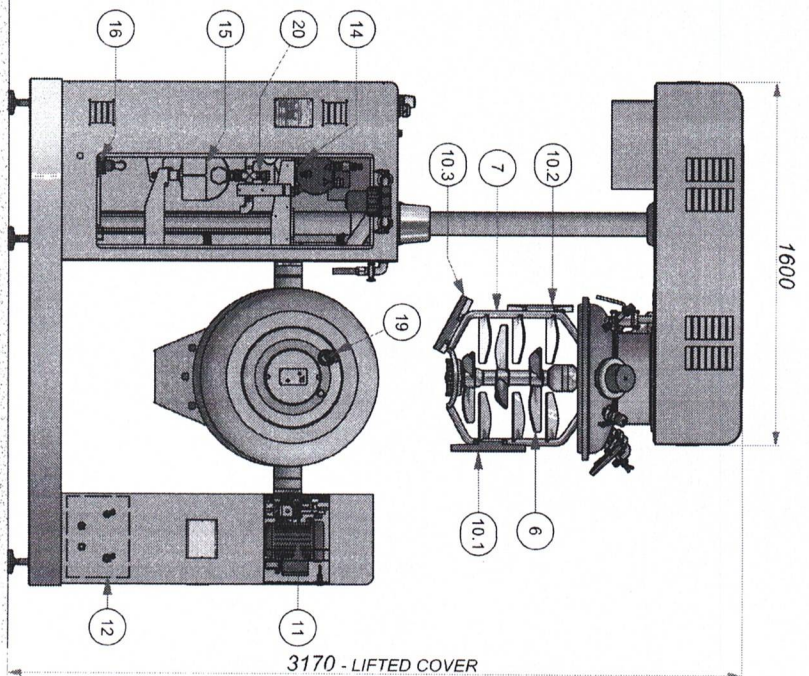
FRONT VIEW



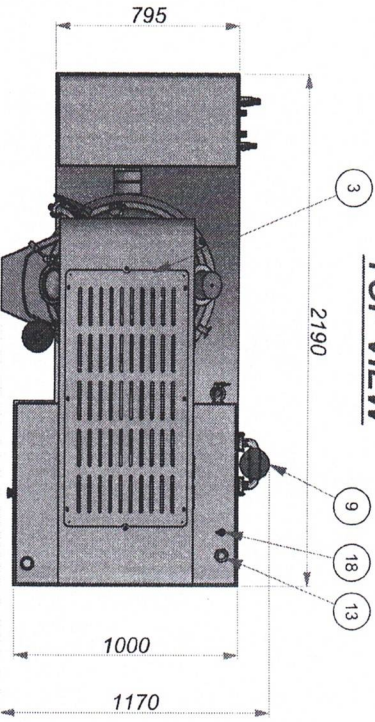
SIDE VIEW



REAR VIEW



TOP VIEW



EMPTY MACHINE WEIGHT = 1950 kg

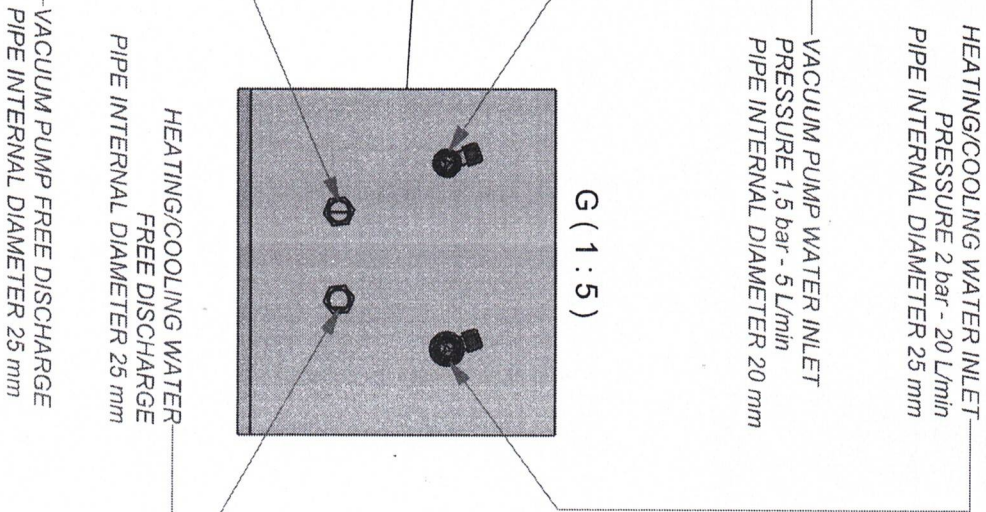
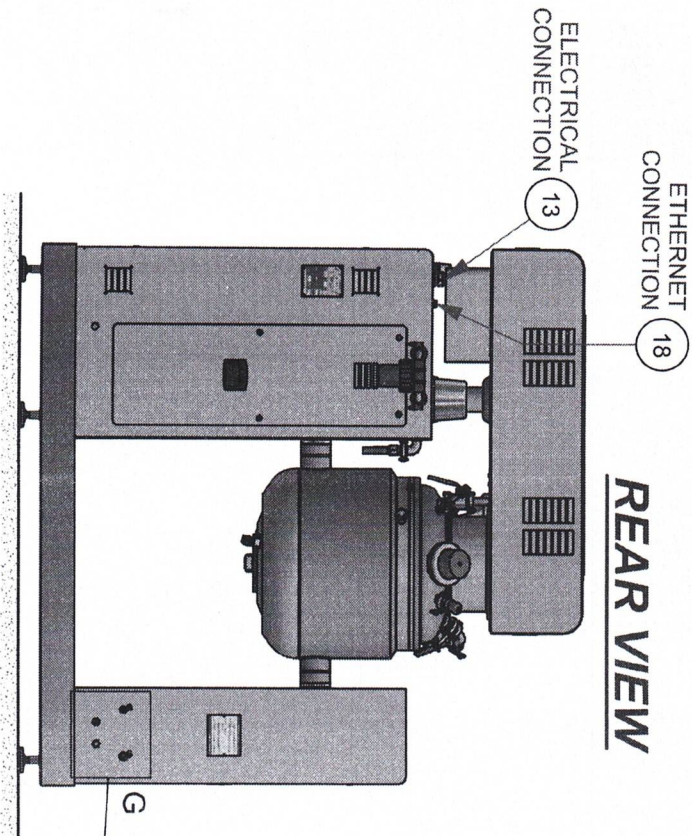
PAGE 01 OF 04

ALL THE DIMENSIONS ARE INDICATIVE

FAC-SIMILE

N.B.: Tutti le dimensioni sono indicate in mm. 6 sono indicative. N.D.: All dimensions are indicated in mm and are indicative.		AXOMIX 150 WITH TURBINE DRIVEN FROM THE TOP	
CLIENT	XIMIX	PRODOTTORE	AXOMATIC
MODEL	150	PRODOTTORE	AXOMATIC
DATE	02/05/2024	PRODOTTORE	AXOMATIC
NOTE	MIX01505096-R01	PRODOTTORE	AXOMATIC

REAR VIEW

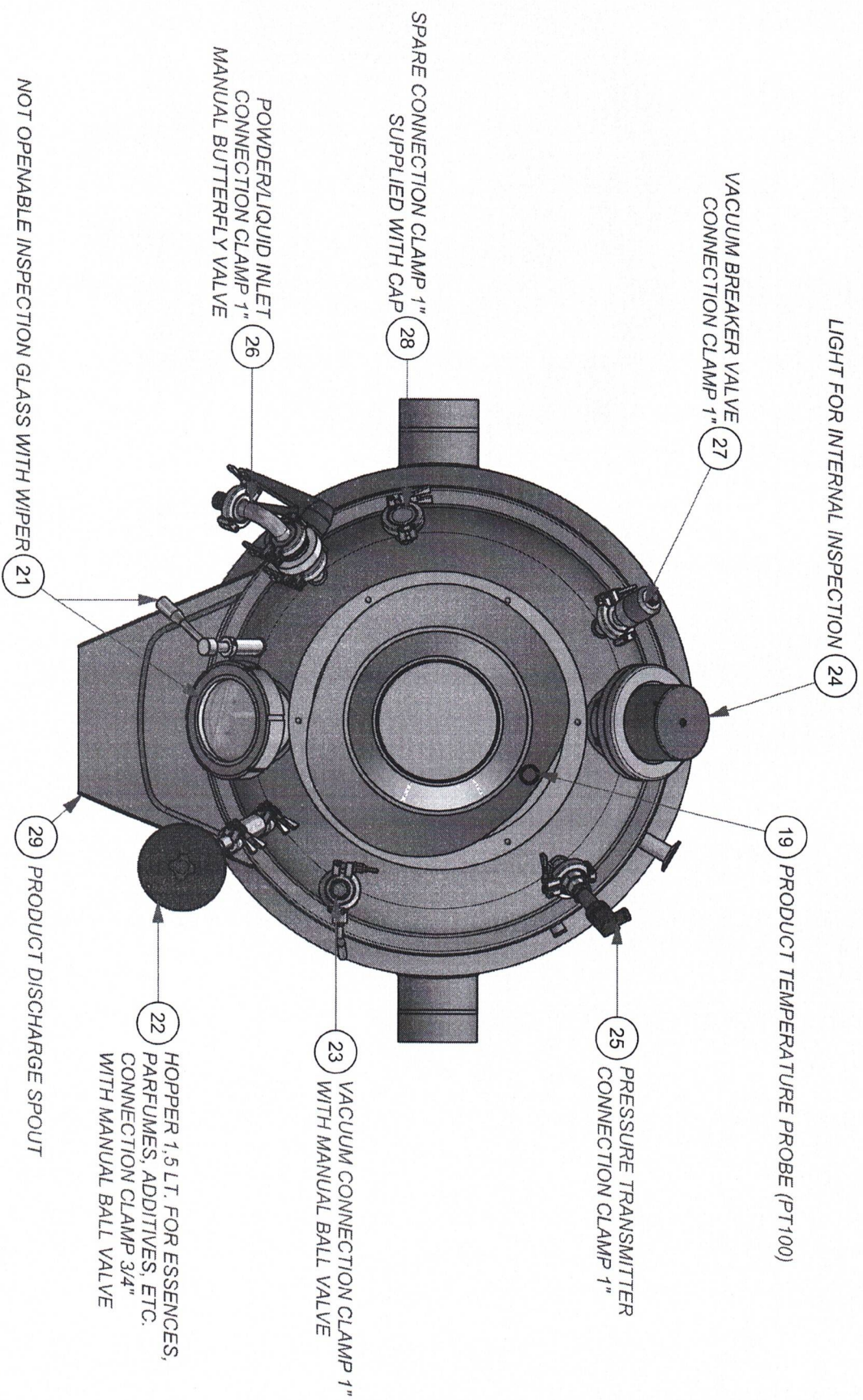


PROJECT: XIMIX - Rev.01
MACHINE MODEL: AXOMIX 150
 DATE: 02/05/2024
 CUSTOMER STAMP AND SIGN FOR APPROVAL:

PAGE 02 OF 04

ALL THE DIMENSIONS ARE INDICATIVE
 FAC-SIMILE

N.B.: Tutte le dimensioni sono espresse in mm, e sono indicative. N.B.: All dimensions are expressed in mm and are approx.	GRUPPO NOME	LAY-OUT	
DENOMINAZIONE	GRUPPO N°	50	
AXOMIX 150 WITH TORBINE DRIVEN FROM THE TOP			
CLIENTE	MACCHINA TIPO	DATA	DISEGNATO
XIMIX	150	02/05/2024	A. BIAGINI
NOTE	N. DISEGNO		
	MIX01505096-R01		



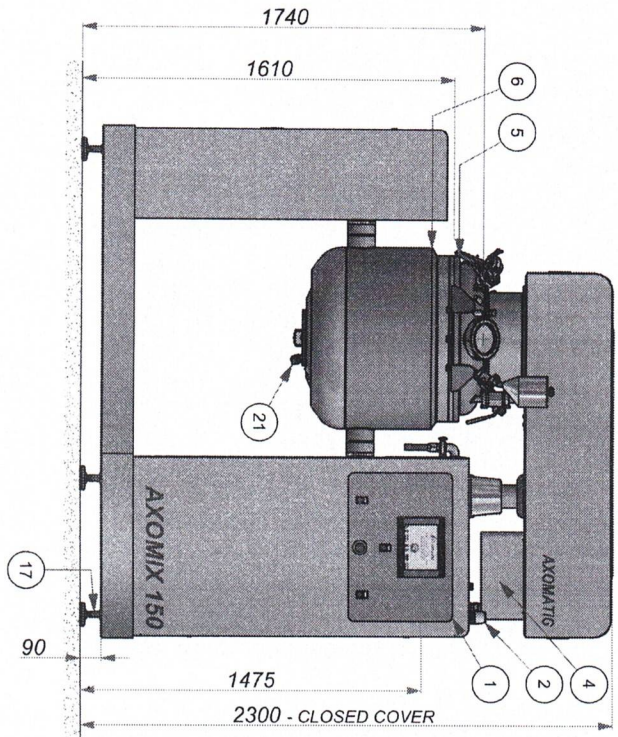
PROJECT: XIMIX - Rev.01
MACHINE MODEL: AXOMIX 150
 DATE: 02/05/2024
 CUSTOMER STAMP AND SIGN FOR APPROVAL:

PAGE 03 OF 04 ALL THE DIMENSIONS ARE INDICATIVE
FAC-SIMILE

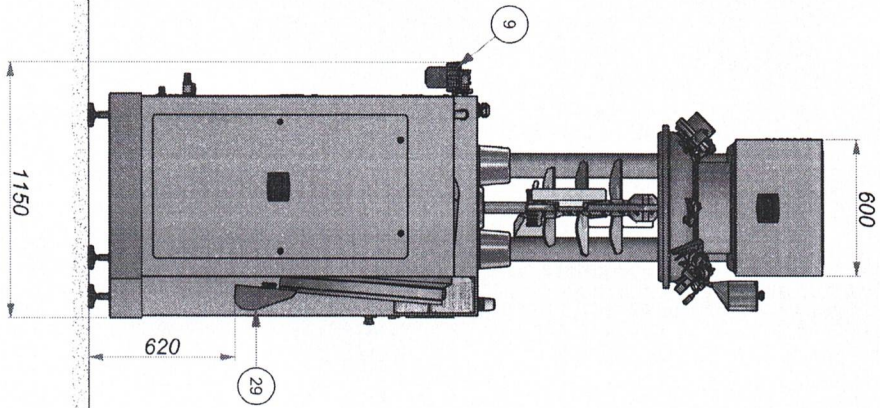
N.B.: Tutte le dimensioni sono espresse in mm e sono indicative. N.B.: All dimensions are expressed in mm and are approx.		GRUPPO/ZONE	
DENOMINAZIONE AXOMIX 150 - VESSEL AND COVER CONNECTIONS		LAYOUT	
CLIENTE XIMIX		MACCHINA TIPO 150	
NOTE		DATA 02/05/2024	
DIRETTI RISERVATI A TERME DI LEGGE - RIPRODUZIONE ANCHE PARZIALE VIETATA - AXOMATIC s.r.l. Via Emilia n° 8 Sesto Marengo (MI) IT/AL Tel. +39-02-85.370 Fax +39-02-53.50.24.94		www.axomatic.com	
		DISEGNATO A. BIAGINI	
		MIX01505096-R01	

PROJECT: XIMIX - Rev.01
MACHINE MODEL: AXOMIX 150
 DATE: 02/05/2024
 CUSTOMER STAMP AND SIGN FOR APPROVAL:

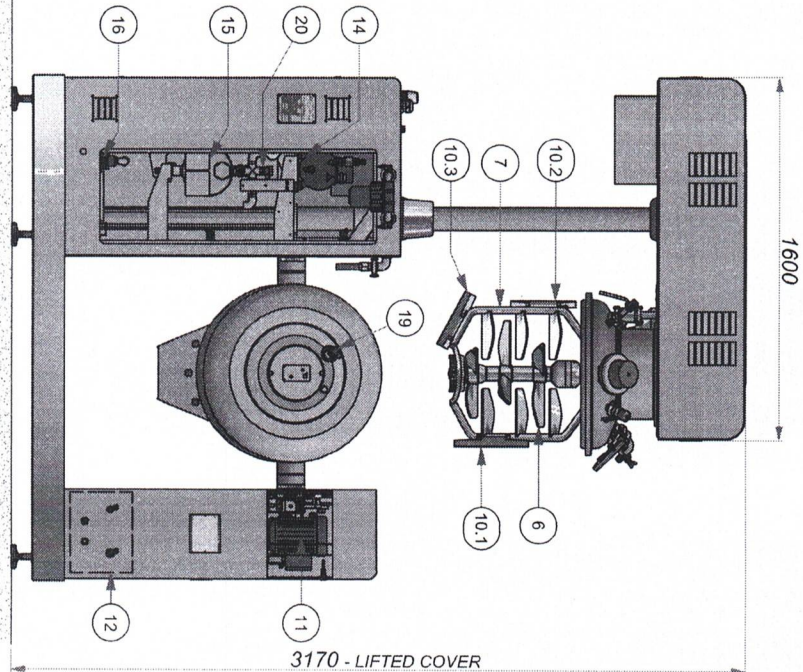
FRONT VIEW



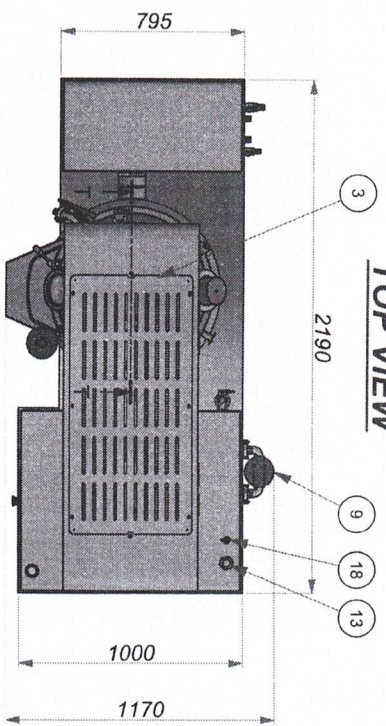
SIDE VIEW



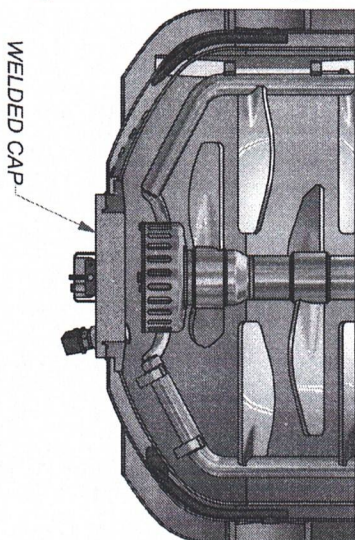
REAR VIEW



TOP VIEW



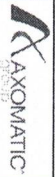
**T-T (1:5)
 TURBINE DRIVEN FROM THE TOP**



EMPTY MACHINE WEIGHT = 1950 kg

PAGE 01 OF 04 ALL THE DIMENSIONS ARE INDICATIVE

NOTE: 1- Total for dimensions, some values in mm, some in inches. 2- All dimensions are indicated in mm, some in inches. 3- All dimensions are indicated in mm, some in inches.		DRAWING CODE LAV-OUT	
MACHINE AXOMIX 150 WITH TURBINE DRIVEN FROM THE TOP		DRAWING NO. 50	
CLIENT XIMIX		DATE 02/05/2024	
PROJECT MIX01505096-R01		DRAWING NO. 150	
PROJECT MIX01505096-R01		DATE 02/05/2024	
PROJECT MIX01505096-R01		DRAWING NO. 150	
PROJECT MIX01505096-R01		DATE 02/05/2024	
PROJECT MIX01505096-R01		DRAWING NO. 150	
PROJECT MIX01505096-R01		DATE 02/05/2024	



WWW.AXOMATIC.COM
 A. BIASINI